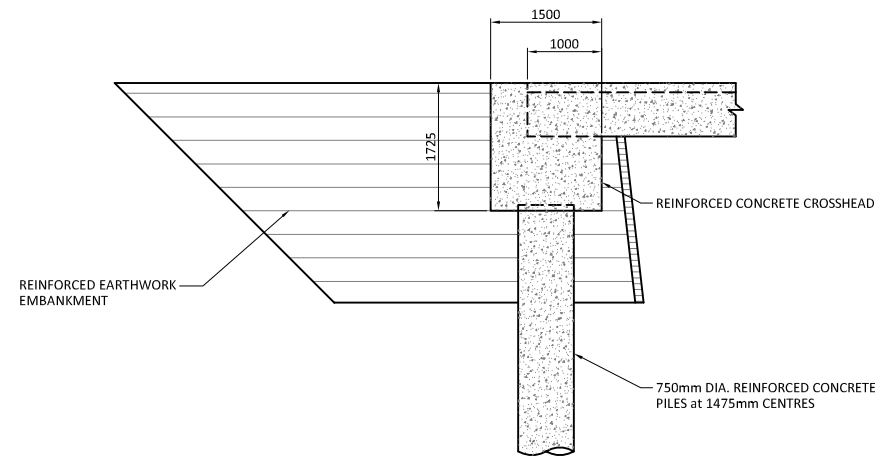


CROSS SECTION A-A

SCALE 1:25



INTEGRAL ABUTMENT

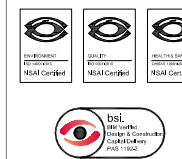
SCALE 1:50

PLANNING DRAWING.
 NOT FOR CONSTRUCTION.
 ALL LEVELS GIVEN ARE
 RELATIVE TO ORDNANCE DATUM.
 THIS DRAWING HAS BEEN ISSUED FOR INFORMATION
 PURPOSES ONLY AND MUST NOT BE USED
 FOR CONSTRUCTION UNDER ANY CIRCUMSTANCES

- FOR SETTING OUT REFER TO ARCHITECT'S DRAWINGS.
- THIS DRAWING TO BE READ IN CONJUNCTION WITH ALL OTHER ARCHITECTURAL AND ENGINEERING DRAWINGS AND ALL OTHER RELEVANT DRAWINGS AND SPECIFICATIONS.
- DO NOT SCALE THIS DRAWING. USE FIGURED DIMENSIONS ONLY.
- NO PART OF THIS DOCUMENT MAY BE REPRODUCED OR TRANSMITTED IN ANY FORM OR STORED IN ANY RETRIEVAL SYSTEM OF ANY NATURE WITHOUT THE WRITTEN PERMISSION OF O'CONNOR SUTTON CRONIN AS COPYRIGHT HOLDER EXCEPT AS AGREED FOR USE ON THE PROJECT FOR WHICH THE DOCUMENT WAS ORIGINALLY ISSUED.

Rev No.	Date	Revision Note	Drn by	Chkd by
P01	14.04.22	SUITABLE FOR INFORMATION	DJM	GM
P02	15.08.22	FOR PLANNING	RM	GM
P03	24.08.22	SUITABLE FOR PLANNING	SN	GM

Rev No.	Date	Revision Note	Drn by	Chkd by



Head Office,
 9 Prussia Street,
 Dublin 7.
 D07 KT57



TEL +353 (0)1 8682000
 e: contactus@ocsc.ie
 w: www.ocsc.ie

Dublin | London | Belfast | Galway | Cork | Birmingham

Client: SKY CASTLE LTD
 Project: MOYGADY BRIDGES, MAYNOOTH,
 CO. MEATH
 Title: ROADS MOORS
 PEDESTRIAN BRIDGE 1
 SHEET 2 OF 2

Code | Originator | Zone | Level | Type | Role | Number | Status | Revision
 S665 · OCSC · XX · XX · DR · C · 1706 · S8 · P03
 Date: APR '22 Scale: SHOWN A1 Drn by: DJM Chkd by: GM Aprvd by: AH